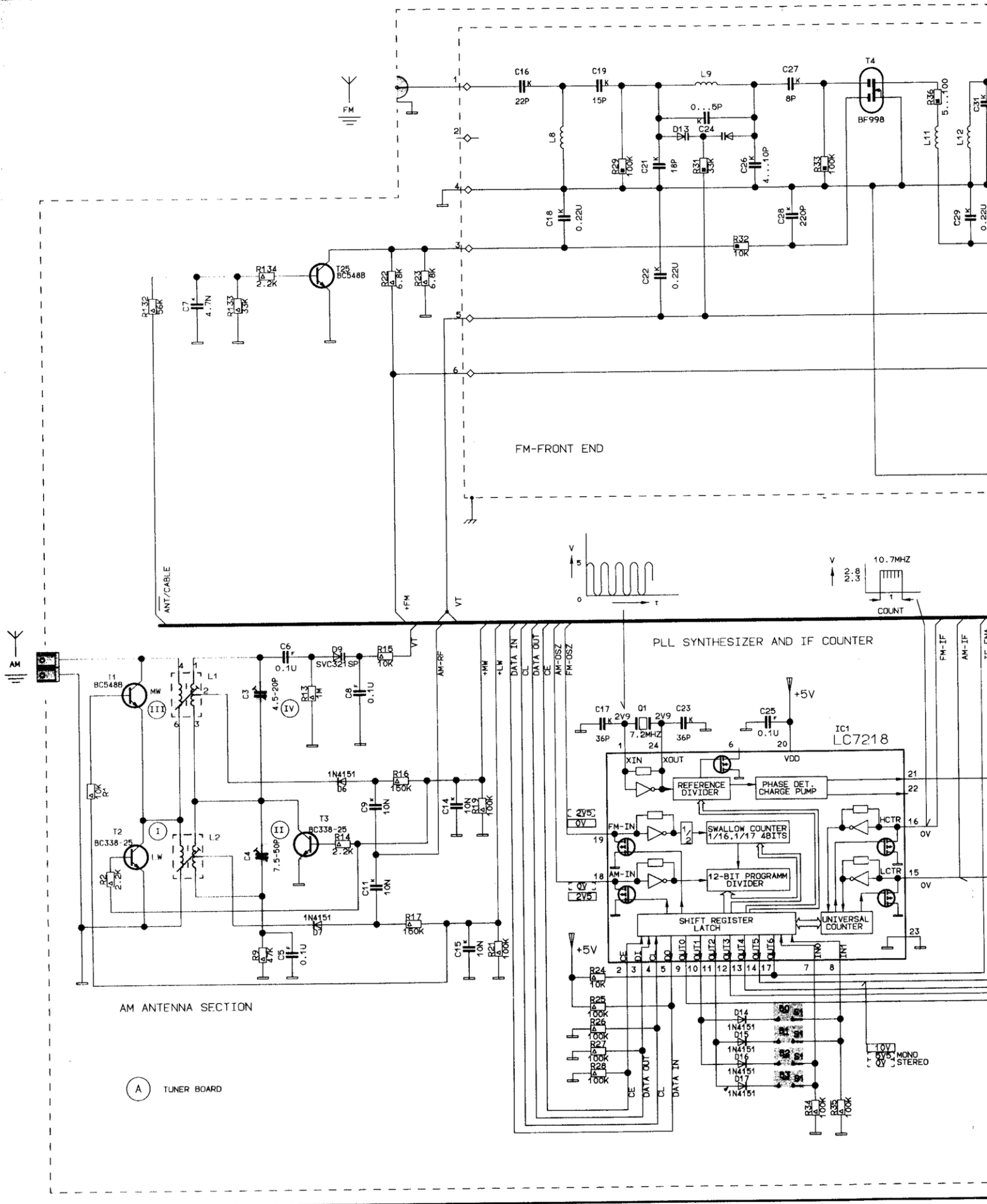
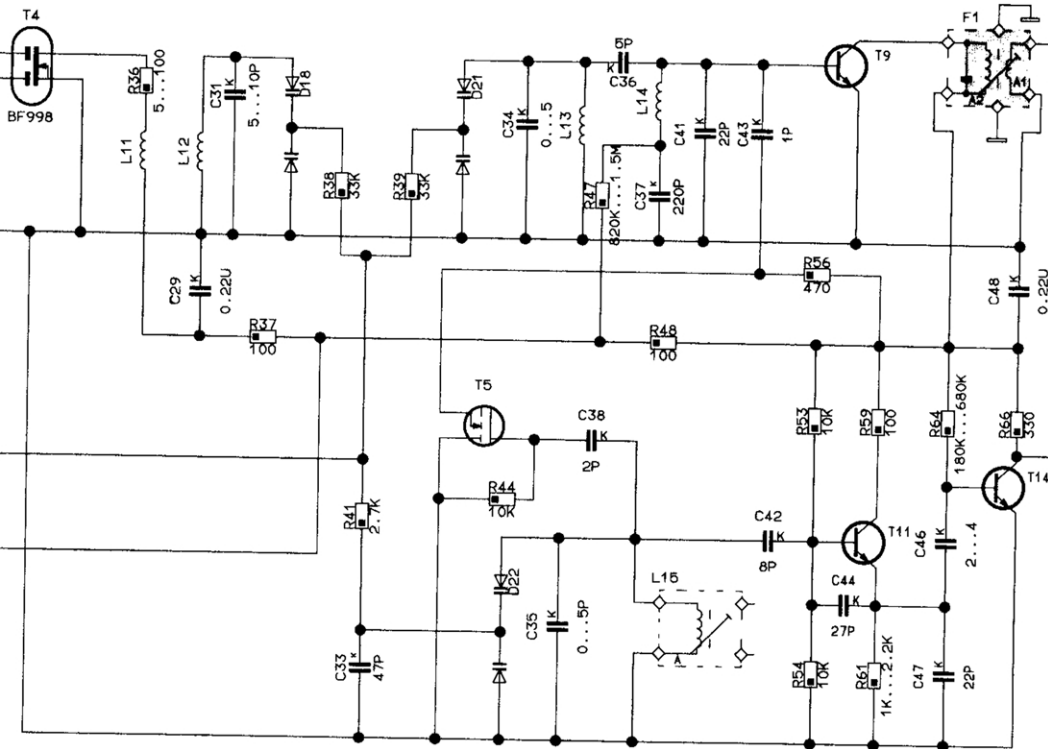


CIRCUIT DIAGRAM TUNER BOARD - PART 1

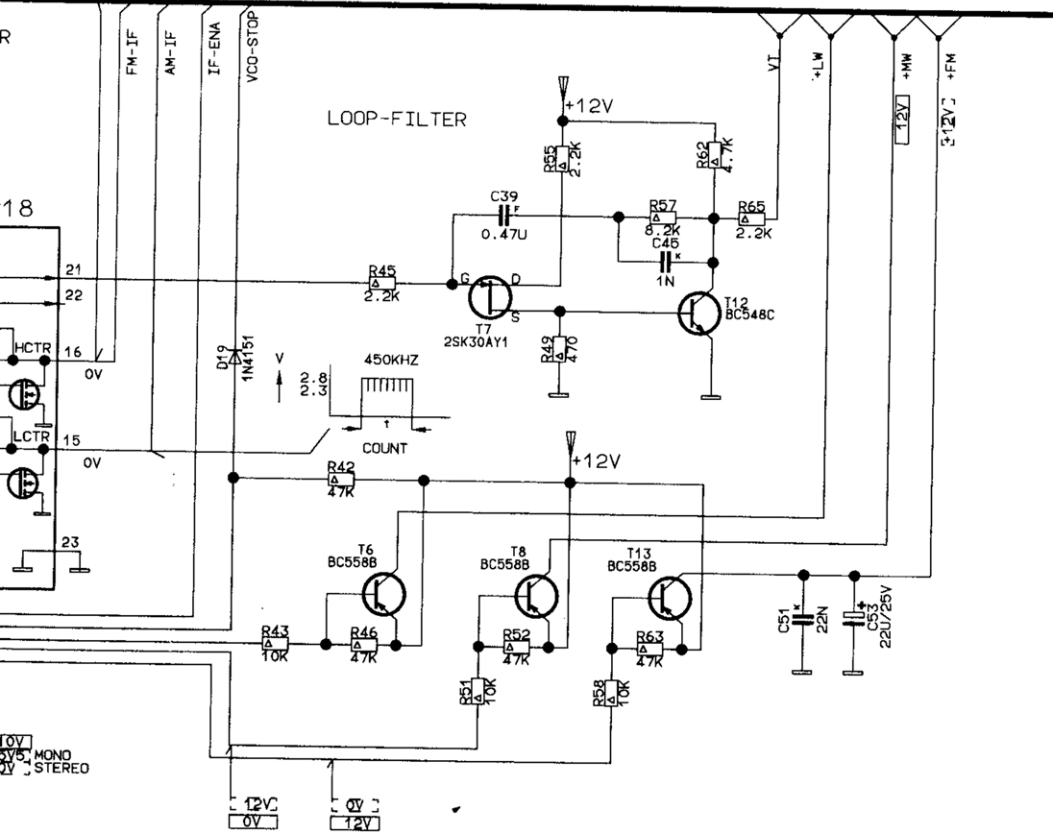
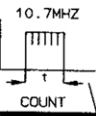


(A) TUNER BOARD

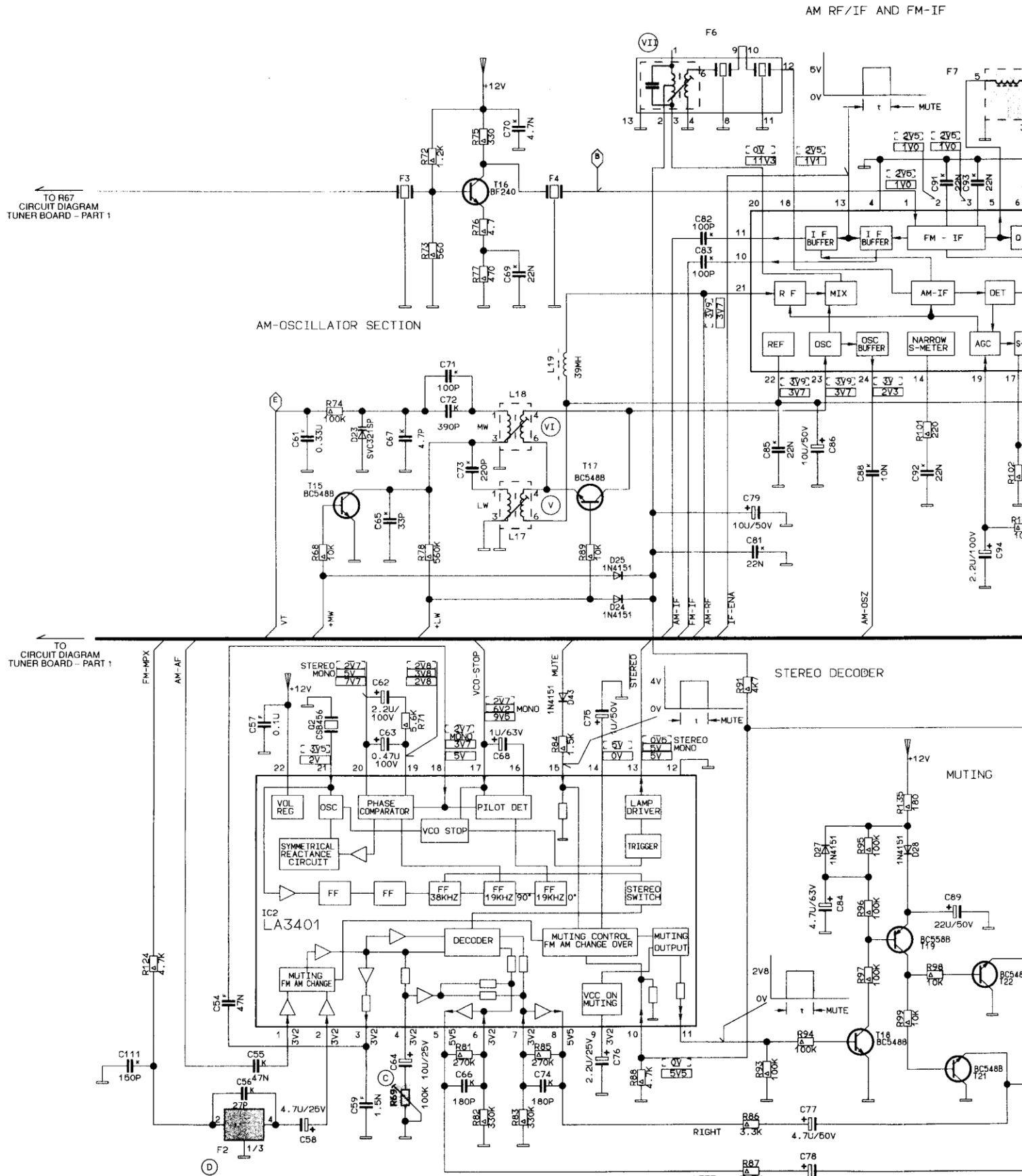


VARICAP

FM	1.6V-8V	(87.5-108 MHz)
MW	1.1V-8V	MAX 9V (528.0-1605 KHZ)
LW	1.8V-5.5V	MAX 7V (151.0-281 KHZ)



CIRCUIT DIAGRAM TUNER BOARD - PART 2

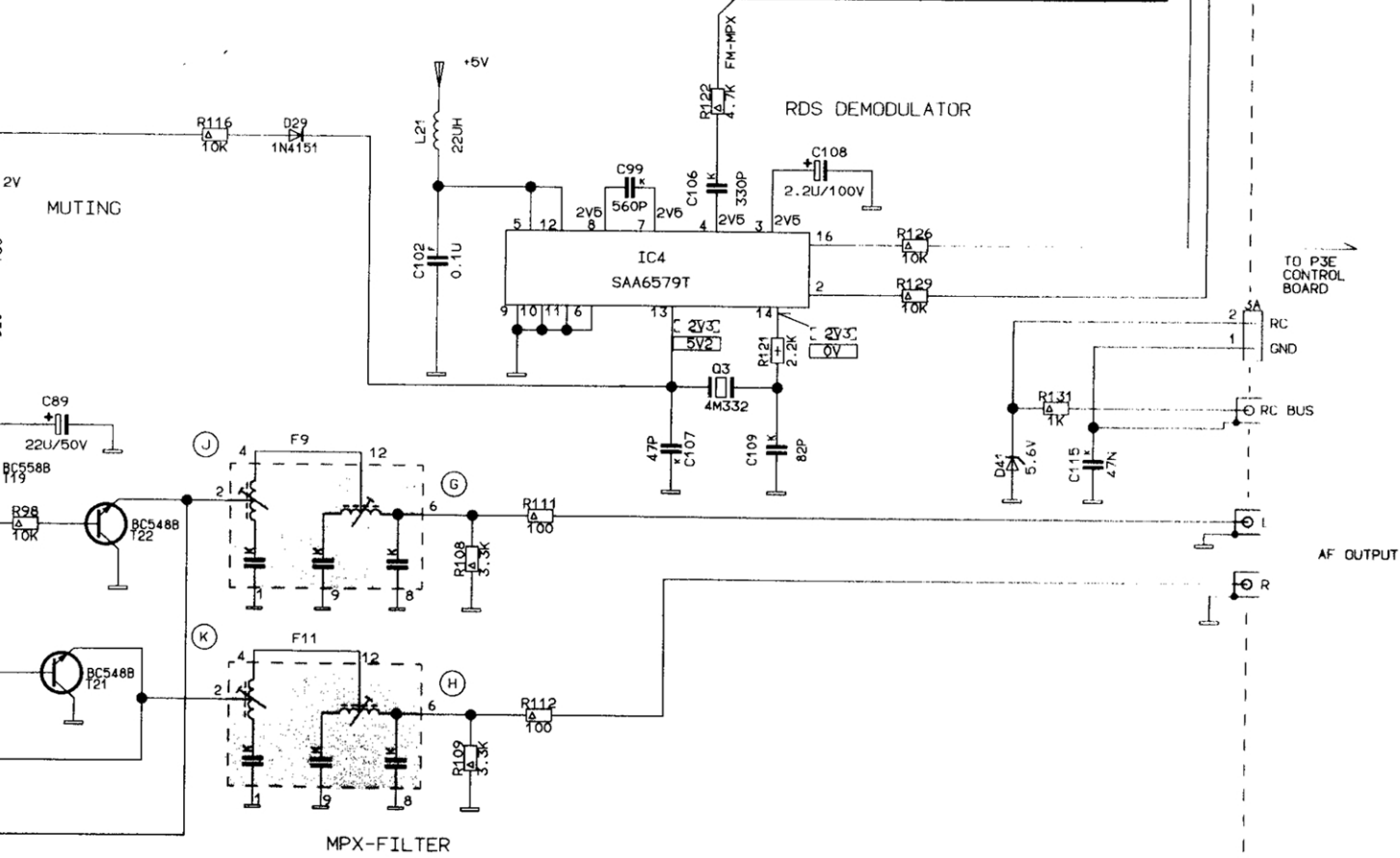
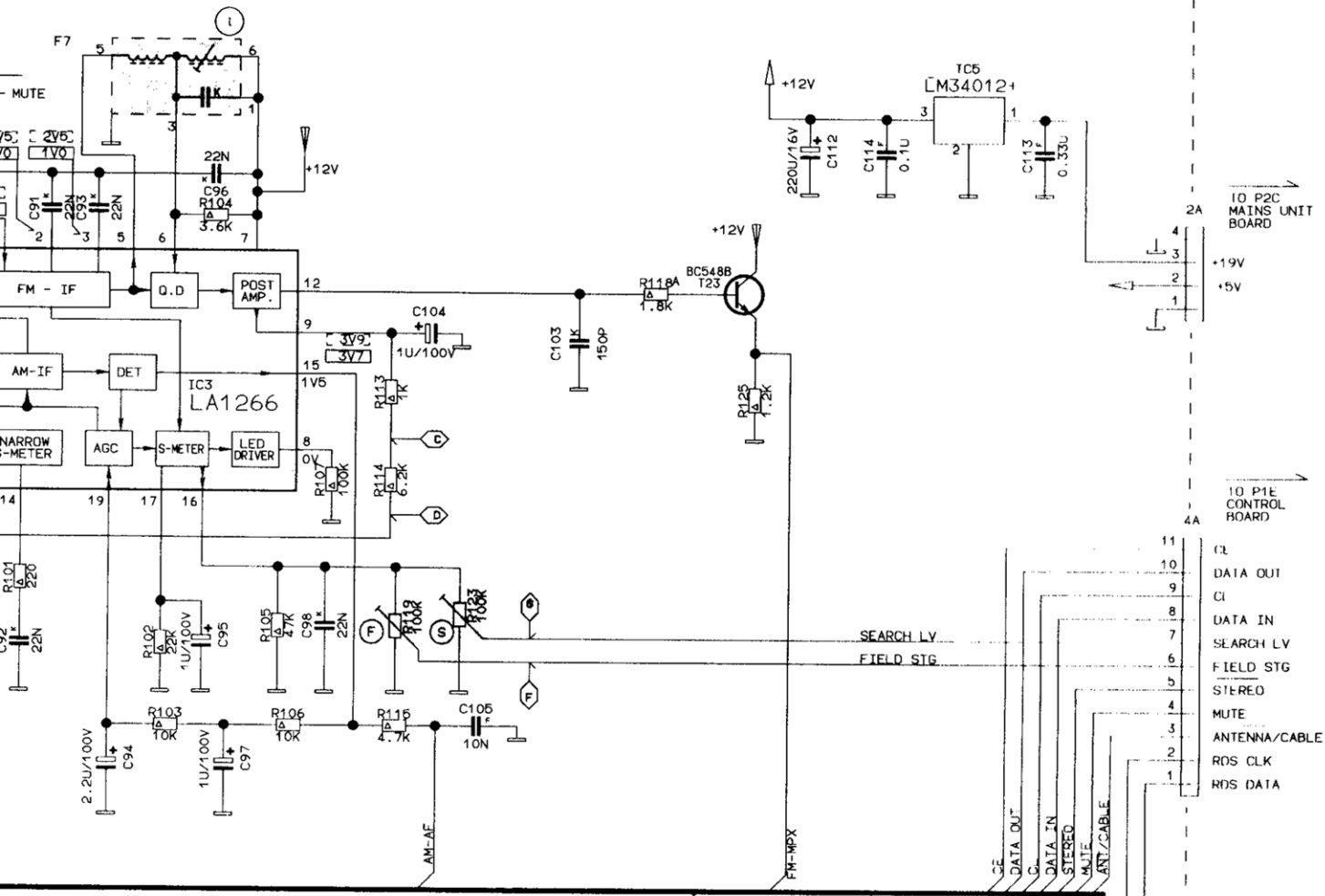


DE-EMPHASIS FOR	R81/R85	R82/R83	C66/C74
EURO	270K	330K	180P
GB	270K	330K	180P
USA	270K	330K	270P

DE-EMPHASIS

RIGHT 3.3K 4.7U/50V
LEFT 3.3K 4.7U/50V

FM-IF



10 P2C
MAINS UNIT
BOARD

10 P1E
CONTROL
BOARD

TO P3E
CONTROL
BOARD

AF OUTPUT

+12V
+19V
+5V

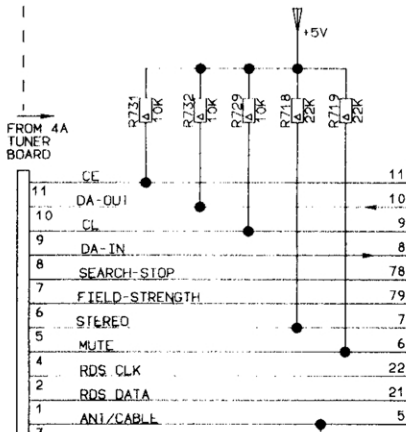
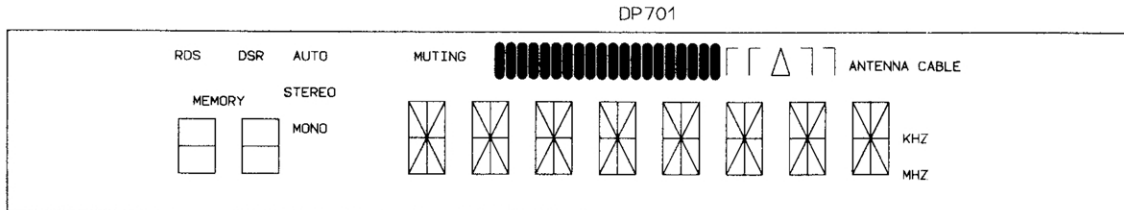
11
10
9
8
7
6
5
4
3
2
1

DATA OUT
DATA IN
SEARCH LV
FIELD STG
STEREO
MUTE
ANTENNA/CABLE
RDS CLK
RDS DATA

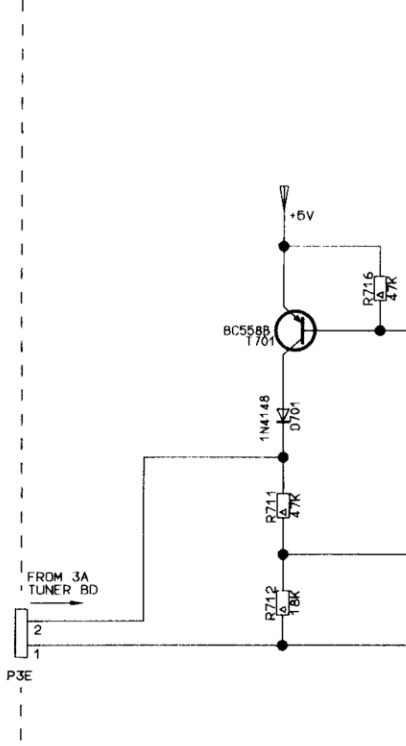
RC
GND
RC BUS

2A
4A

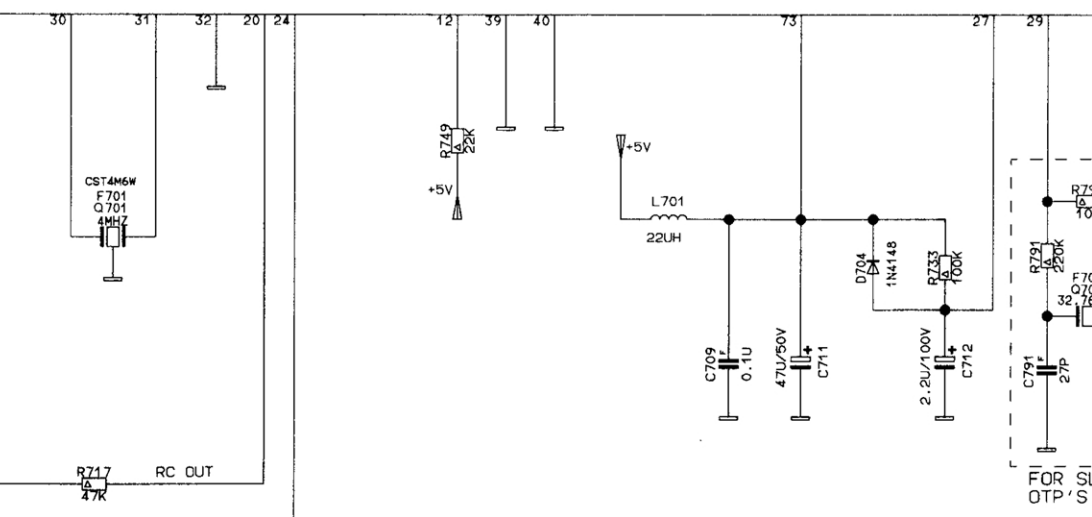
CIRCUIT DIAGRAM CONTROL BOARD



P1E



IC702
M38172M4-129FP



(B) CONTROL BOARD

